

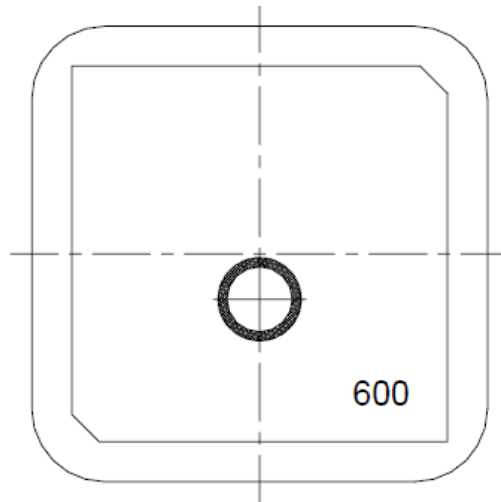


Specification

# SPECIFICATION

- Part No. : **CGGP.1600.25.4.A.02**
- Specification No : **CGGP.25.A**
- Product Name : **4mm thick GPS/GLONASS Patch Antenna, 1600MHz (DA1600F)**
- Features : 25mm\*25mm\*4mm  
ROHS Compliant

:



## REVISION STATUS

Version	Date	Page	Revision Description	Prepared	Approved
01	Aug 4 <sup>th</sup> 2010	All	New format	TW Product Centre	Ronan Quinlan



## Specification

### 1.0 Introduction

This miniaturized ceramic GPS patch antenna is based on smart **XtremeGain™** technology. It is mounted via pin and double-sided adhesive and has been selected as optimal solution for the customer device environment.

### 2.0 Key Antenna Performance Indicators

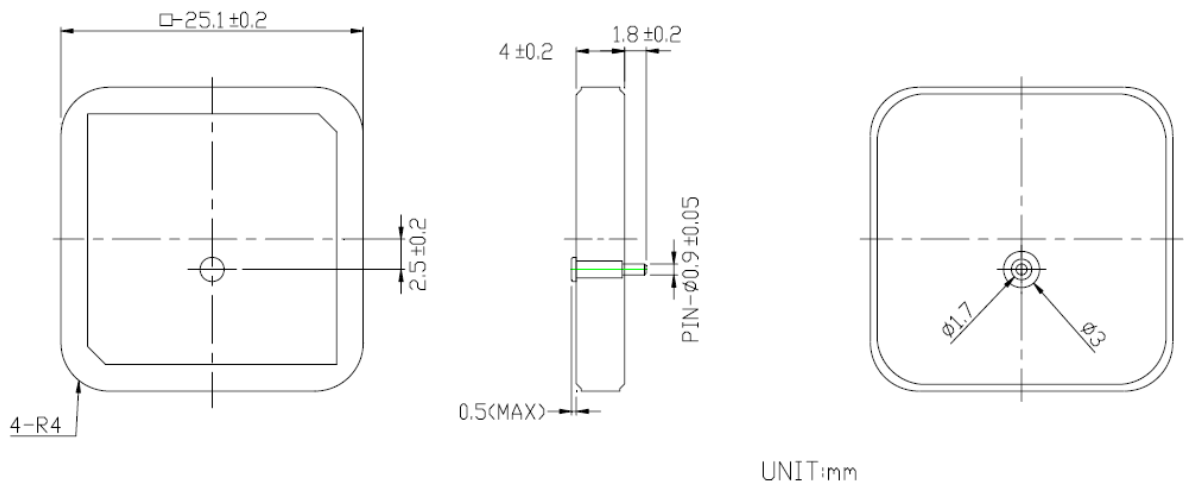
#### Original Patch Specification tested on 70mm<sup>2</sup> ground plane

No	Parameter	Specification	
1	Center Frequency	1600MHz $\pm$ 3MHz when tested on a 70mm <sup>2</sup> Ground Plane	
2	Bandwidth	15 MHz min Return Loss <-10dB	
3	VSWR	1.5 max	Center Frequency
4	Gain at Zenith	+5.0 dBi typ.	
5	Gain at 10° Elevation	-1.0 dBi typ.	
6	Axial ratio	3dB Max	
7	Polarization	Right Hand Circular Polarization	
8	Frequency Temperature Coefficient ( Tf )	0 $\pm$ 20ppm	-40°C to +105°C
9	Operating Temperature	-40°C to +105°C	
10	Impedance	50 Ohm	

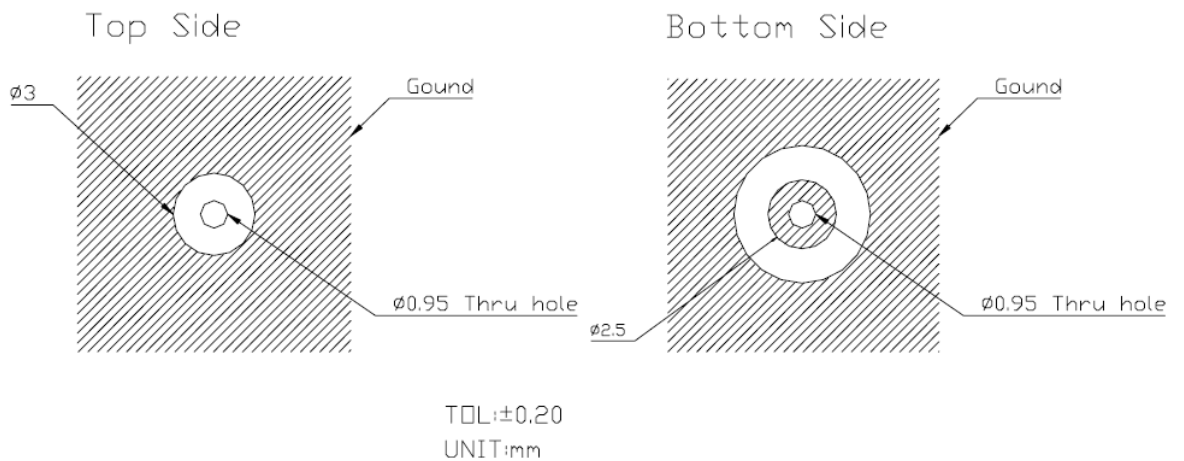


### 3.0 Mechanical Specifications

#### 3.1 Shape and Dimension



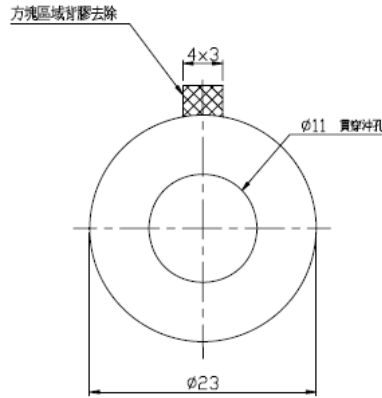
#### 3.2 Layout





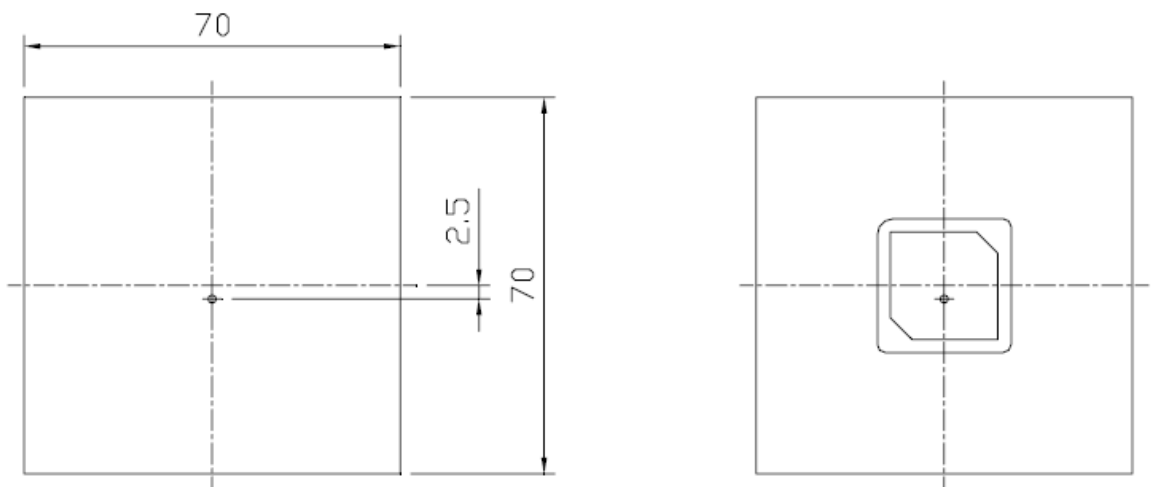
Specification

### Tape Dimension



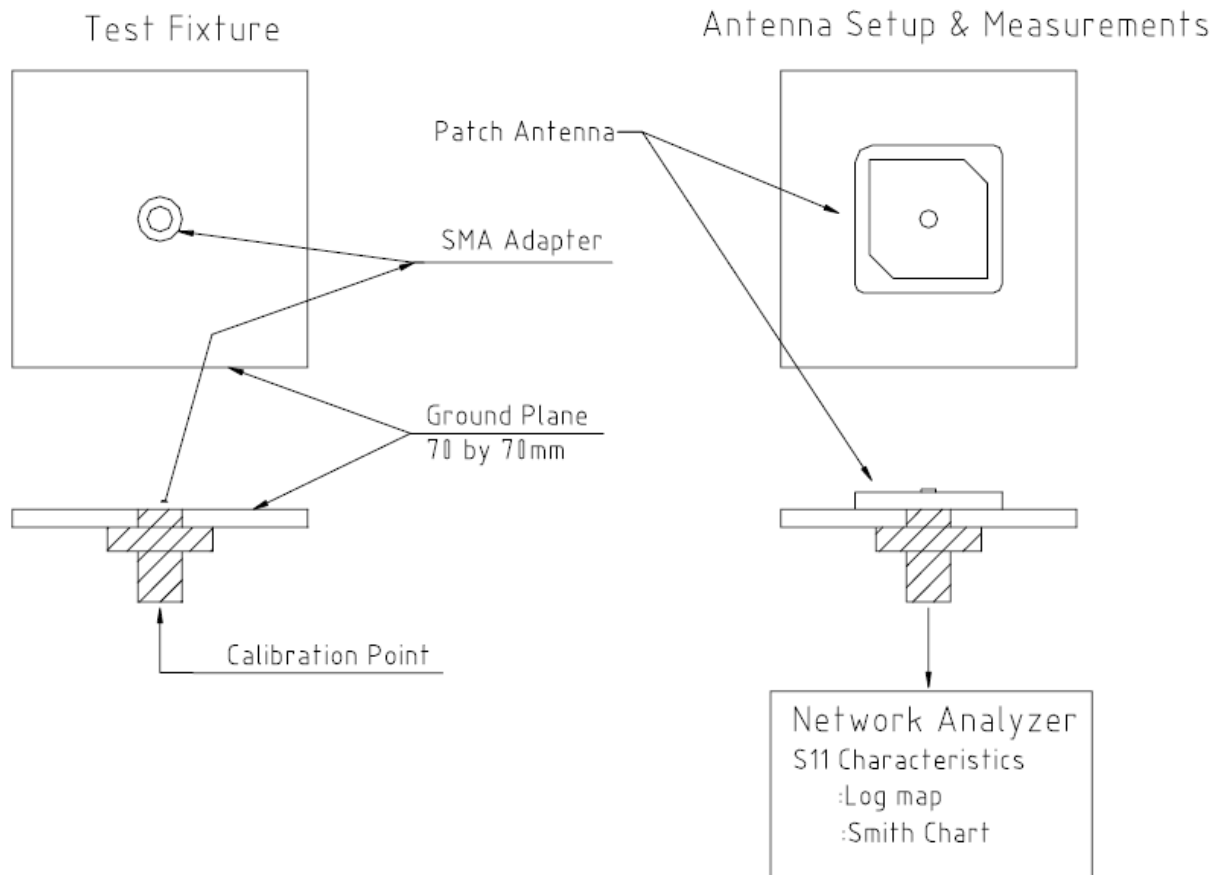
- 備註：  
1. NITTO: NO.5015  
2. Double-coated adhesive tape for industrial use  
3. Thickness: 0.12mm

### 3.3 Test Jig and Dimension





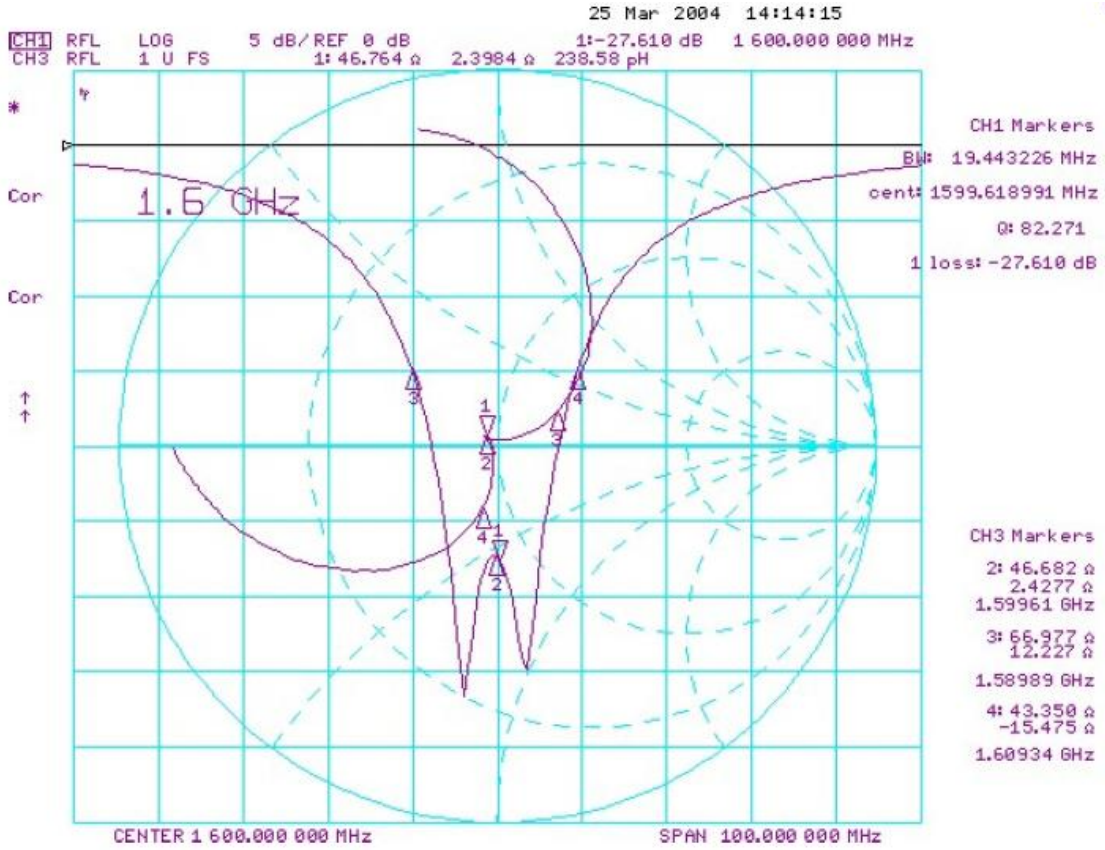
### 3.4 Test Fixture Antenna Setup and Measurements



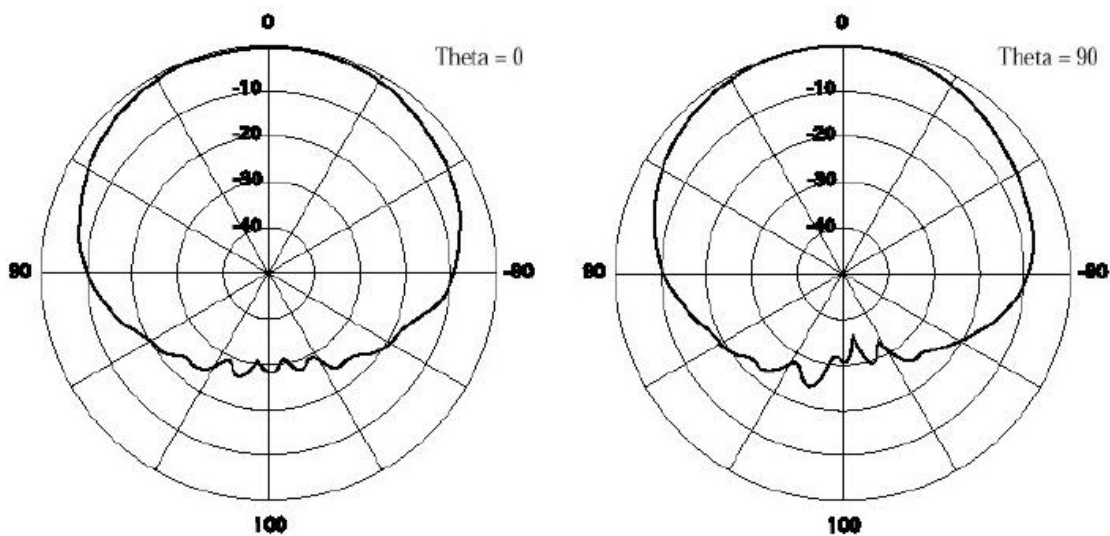


Specification

### 4.0 Performance testing and results



#### The Normalized Antenna Gain Chart

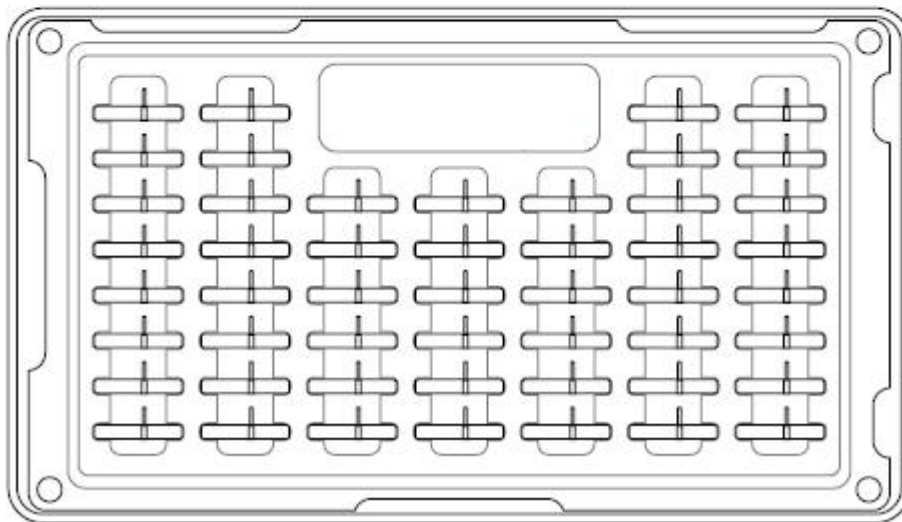




Specification

## 5.0 Packaging

Pieces per Inner Carton: 200





Specification

Packing

