

SPECIFICATION

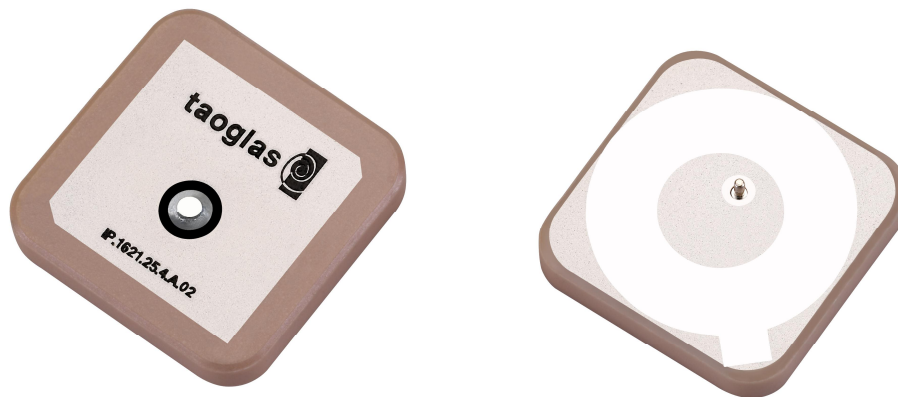
Iridium Certified

Part No. : **IP.1621.25.4.A.02**

Product Name : **4mm thick Iridium Patch Antenna, 1621MHz**

Features : 25mm*25mm*4mm
ROHS Compliant

:



1. Introduction

This miniaturized ceramic Iridium patch antenna is based on smart **XtremeGain™** technology. It is mounted via pin and double-sided adhesive and has been selected as optimal solution for the customer device environment. Iridium certifies the IP.1621.25.4.A.02 for commercial use in connection with the Iridium Communications systems.

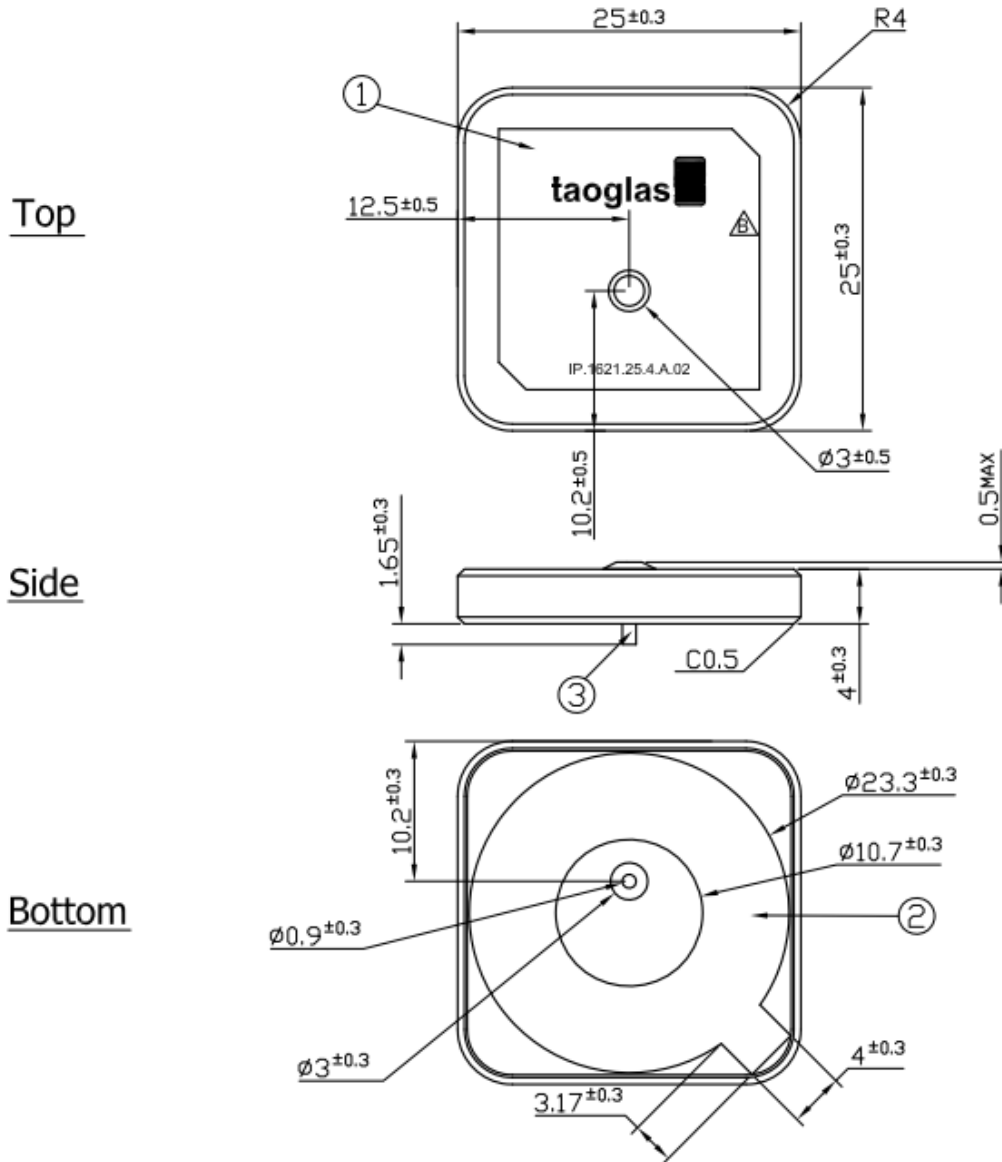
2. Key Antenna Performance Indicators

Original Patch Specification tested on 50*50mm ground plane

No	Parameter	Specification	Notes
1	Range of Receiving Frequency	1616~1626.5Mhz	
2	Center Frequency	1621MHz ±3MHz	with 50*50mm GND Plane
3	Bandwidth	16MHz	Return Loss ≤-10dB
4	VSWR	1.5 max	Center Frequency
5	Gain at Zenith	+2.0dBi typ.	Center Frequency
6	Gain at 10° Elevation	--	Center Frequency
7	Axial Ratio	3 dB Max	Center Frequency
8	Polarization	RHCP	
9	Impedance	50Ω	
10	Frequency Temp Coefficient (Tf)	0±20ppm/°C	-40°C to +85°C
11	Operating Temperature	-40°C to +85°C	
12	Antenna Weight	10g	

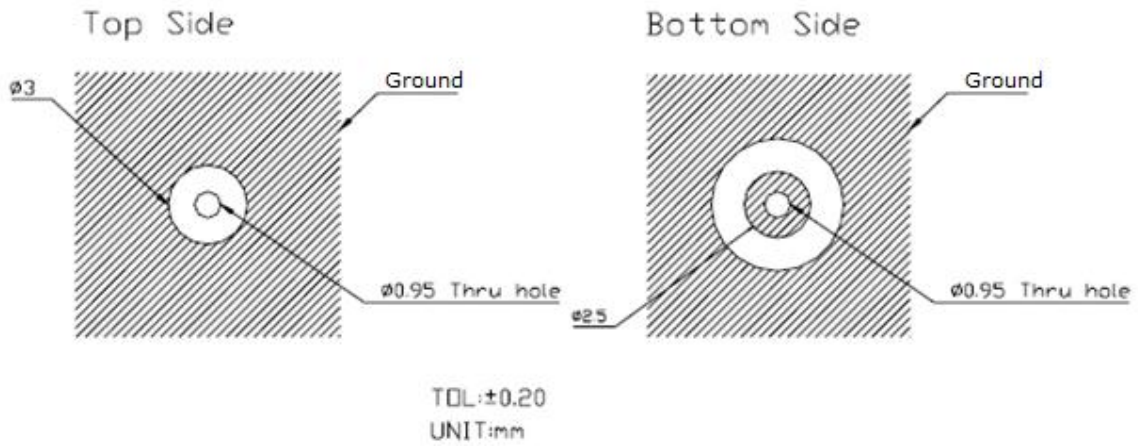
3. Mechanical Specifications

3.1 Shape and Dimension

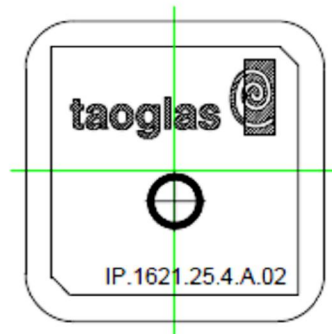


	Name	Material	Finish	QTY
1	IP.25A Iridium Patch (25x25x4mm)	Ceramic	Clear	1
2	Double sided Adhesive	NITTO 5015	White Liner	1
3	Pin	Brass	Tin Plated	1

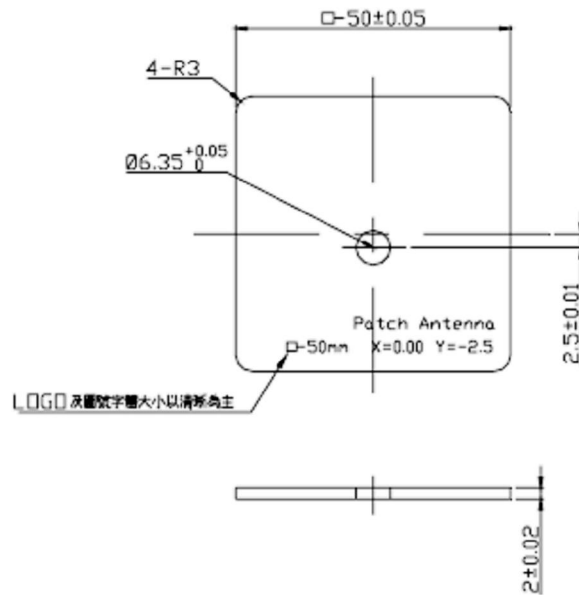
3.2 Layout



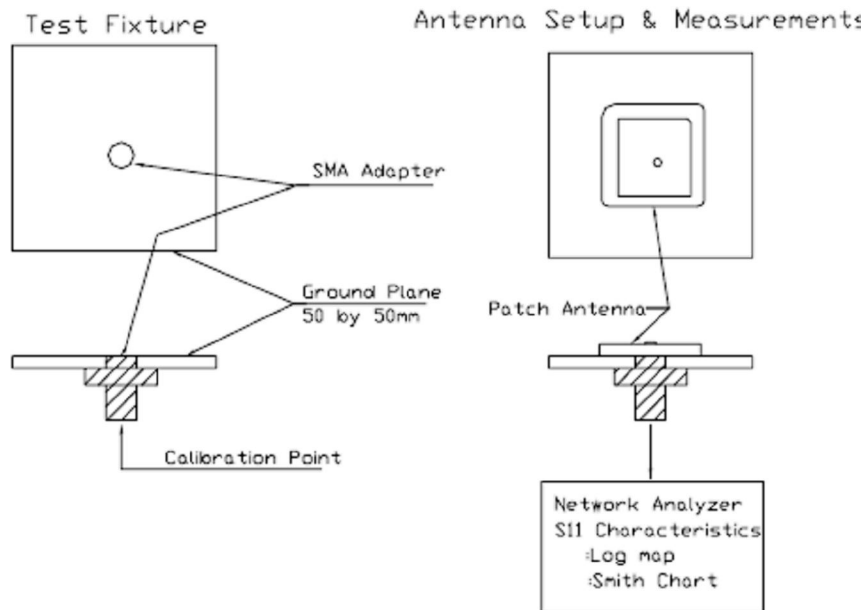
3.3 Mark



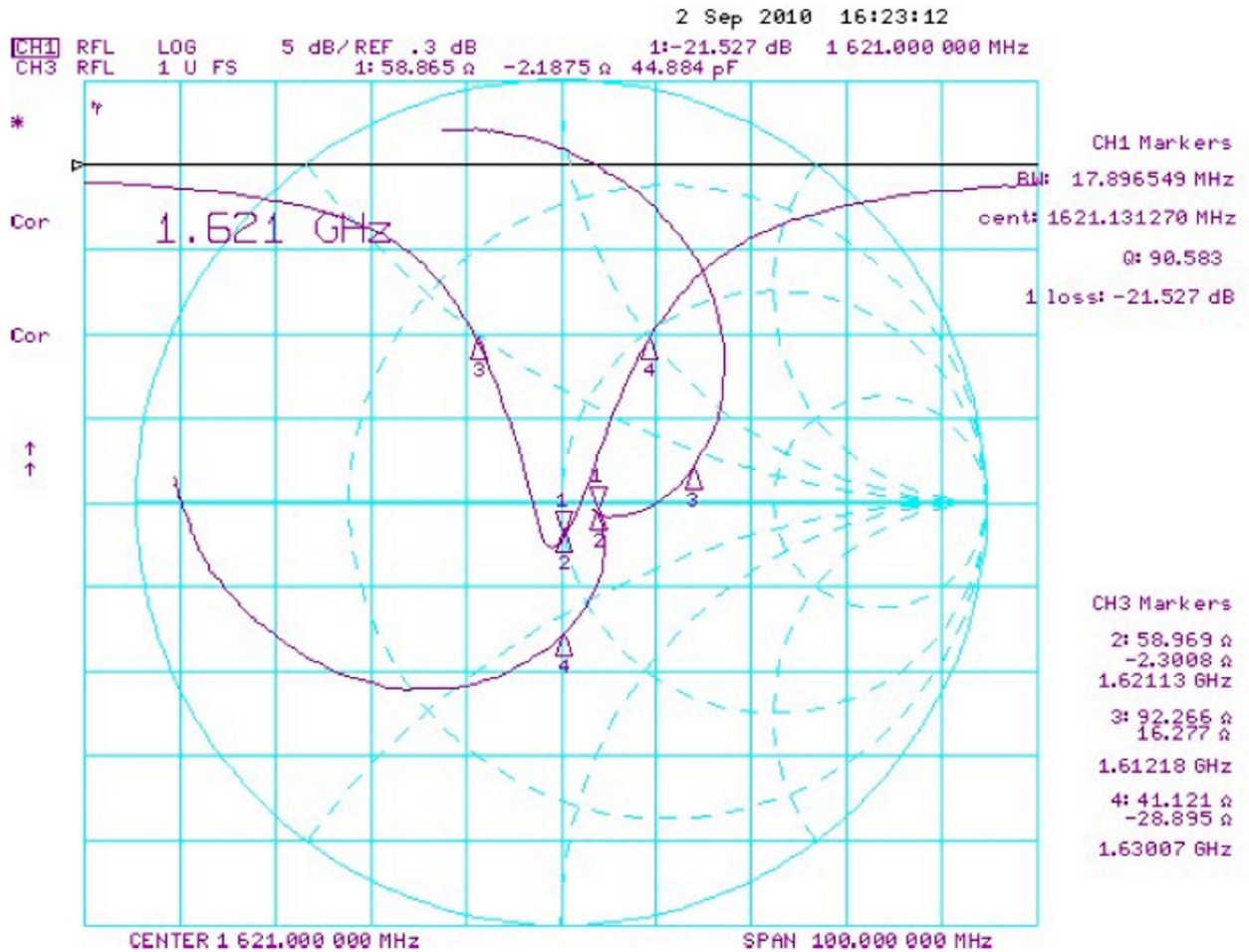
3.4 Test Jig and Dimensions



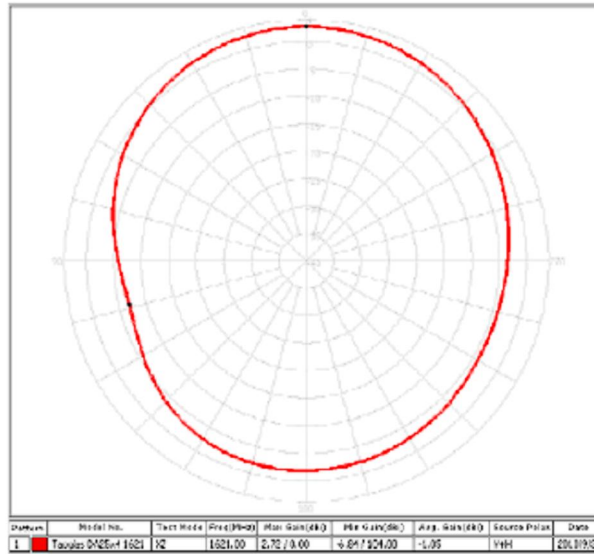
3.5 Test Fixture Antenna Setup and Measurements



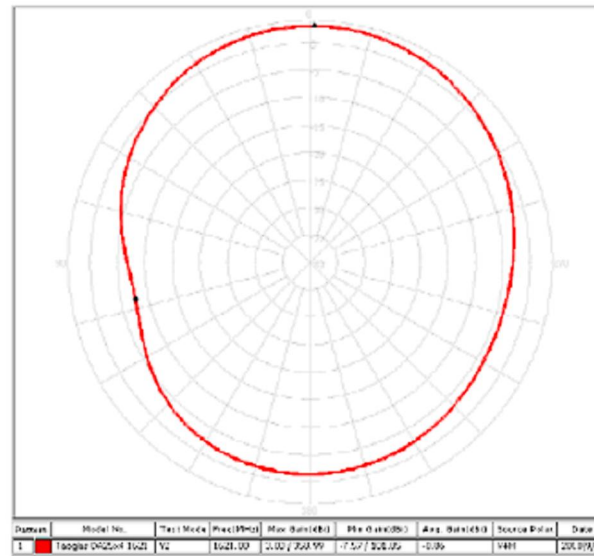
4. Performance testing and results



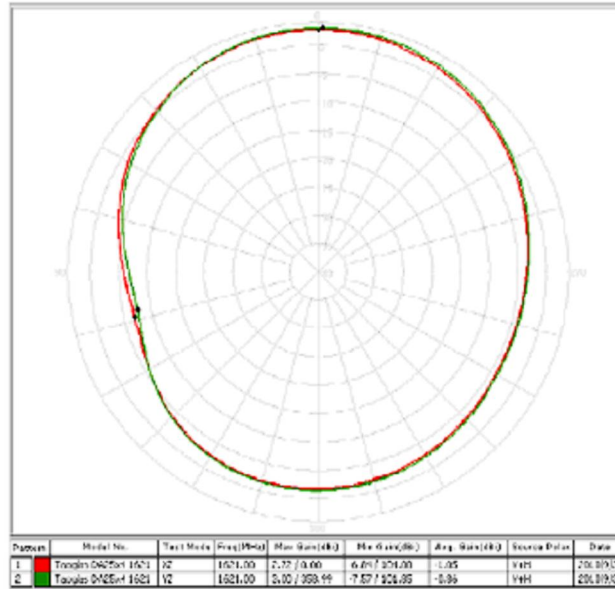
Antenna Gain Chart



XZ-Plane



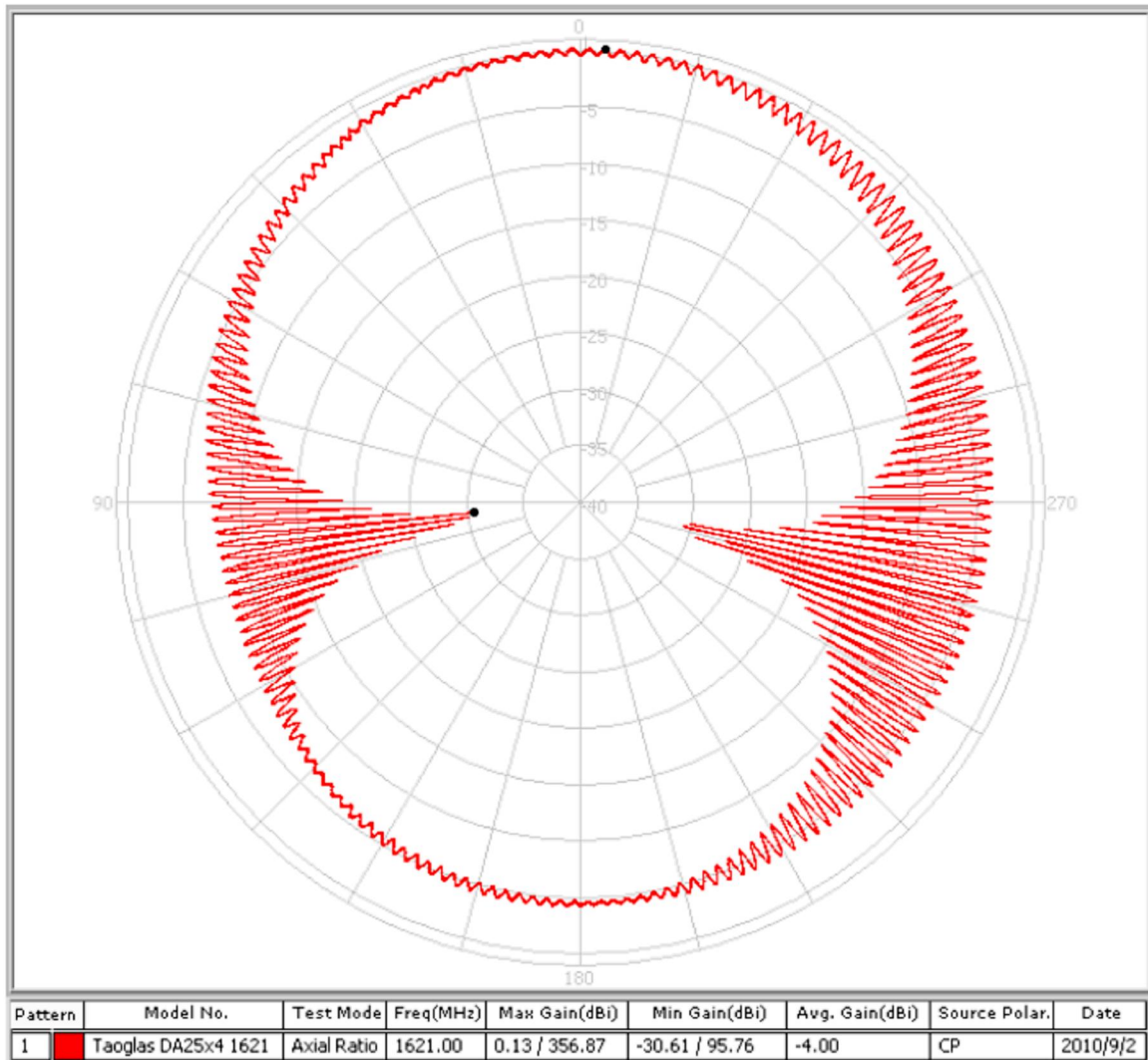
YZ-Plane



XZ+YZ-Plane

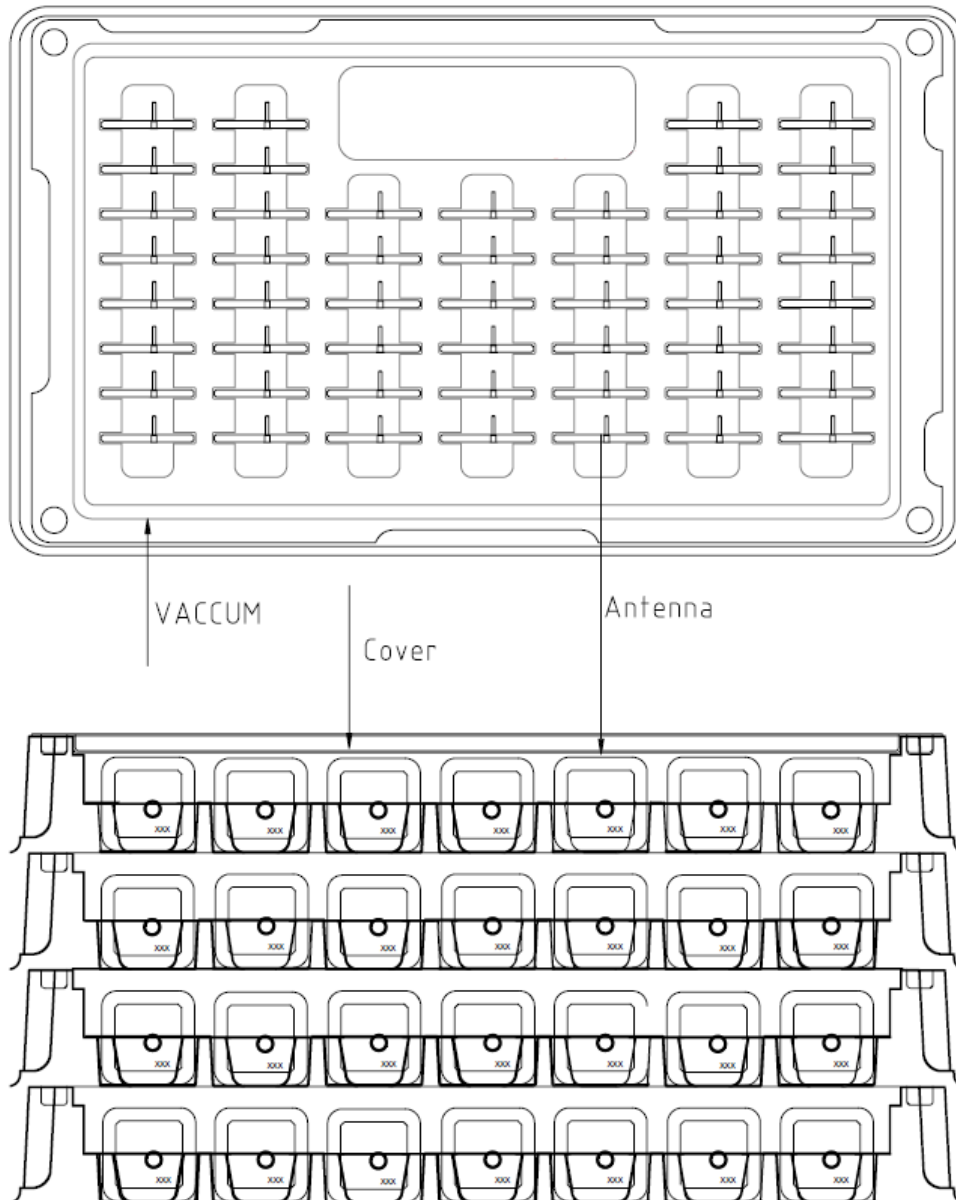
Plane	Max Gain(dBi)	Min Gain(dBi)	Avg. Gain(dBi)
XZ	2.72/1.00	-6.84/104	-1.05
YZ	3.00/358.99	-7.57/101.85	-0.86

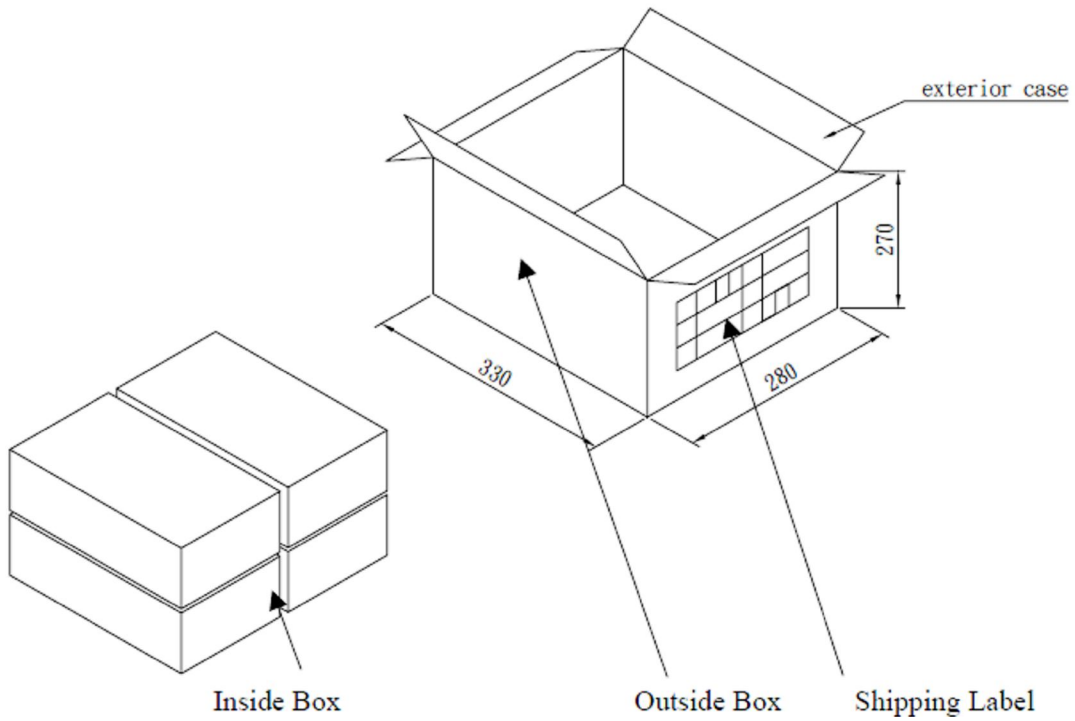
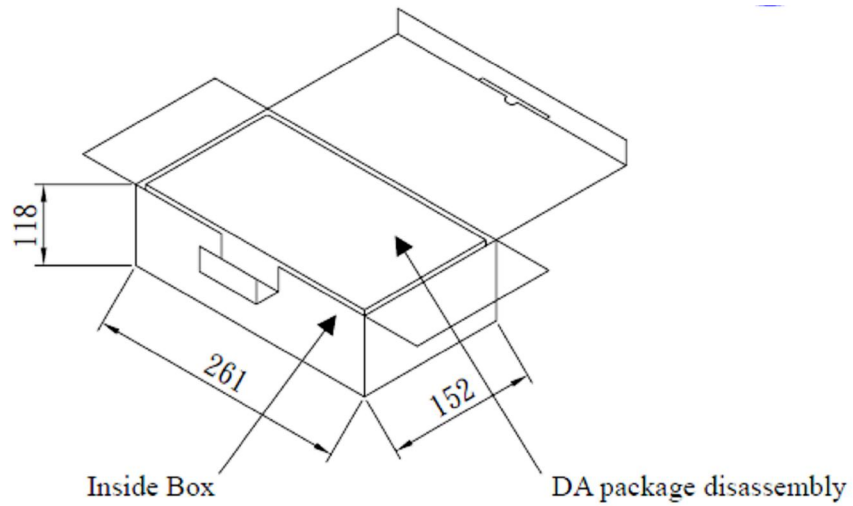
Axial Ratio



5. Packaging

- Per Tray: 50 pieces
- Per Carton(Inside Box) . 4 Trays = 200 pieces
- Outer Carton (Outside Box). 4 Cartons = 800 pieces





Taoglas makes no warranties based on the accuracy or completeness of the contents of this document and reserves the right to make changes to specifications and product descriptions at any time without notice. Taoglas reserves all rights to this document and the information contained herein. Reproduction, use or disclosure to third parties without express permission is strictly prohibited. Copyright © 2012, Taoglas Ltd.