



Mounting a FN980(m) in a 30x52mm slot

Application Note

80624NT11886A Rev. 1 – 2021-02-12

APPLICABILITY TABLE

PRODUCTS	PART NUMBER
FN980N	any
FN980	any

CONTENTS

APPLICABILITY TABLE	2
CONTENTS	3
1. INTRODUCTION	4
1.1. Scope	4
1.2. Audience	4
1.3. Contact Information, Support	4
1.4. Symbol Convention	5
1.5. Related Documents	5
2. STEPS TO INSTALL A FN980 FAMILY CARD IN A 30MMX52MM SLOT	6
2.1. Change M.2 connector and stand off height	6
2.2. FN980 Family assembly with Telit Adapter	8
2.2.1. How to install the adapter on your application	8
3. PRODUCT AND SAFETY INFORMATION	11
3.1. Copyrights and Other Notices	11
3.1.1. Copyrights	11
3.1.2. Computer Software Copyrights	11
3.2. Usage and Disclosure Restrictions	12
3.2.1. License Agreements	12
3.2.2. Copyrighted Materials	12
3.2.3. High Risk Materials	12
3.2.4. Trademarks	12
3.2.5. 3rd Party Rights	13
3.2.6. Waiver of Liability	13
3.3. Safety Recommendations	13
4. DOCUMENT HISTORY	15

1. INTRODUCTION

1.1. Scope

This document describes how to install a FN980 Family M.2 card (30mmx50mm) into a customer application designed for a 30mmx52mm M.2 card. All features and solutions described in this document are applicable to all FN980 variants listed in the applicability table and may not fit for all customer cases. Please use this document as a starting point to choose the best solution for your application. If this guide fits with your application, Telit can also provide an adapter to fit the 2mm gap between the two cards, as showed in next steps.

1.2. Audience

This document is intended for Telit customers, especially system integrators, about to implement their applications using the Telit FN980 Family.

1.3. Contact Information, Support

For general contact, technical support services, technical questions and report of documentation errors contact Telit Technical Support at:

- TS-EMEA@telit.com
- TS-AMERICAS@telit.com
- TS-APAC@telit.com

Alternatively, use:

<http://www.telit.com/support>

For detailed information about where you can buy the Telit modules or for recommendations on accessories and components visit:

<http://www.telit.com>

Our aim is to make this guide as helpful as possible. Keep us informed of your comments and suggestions for improvements.

Telit appreciates the user feedback on our information.

1.4. Symbol Convention



Danger: This information **MUST** be followed or catastrophic equipment failure or personal injury may occur.



Warning: Alerts the user on important steps about the module integration.



Note/Tip: Provides advice and suggestions that may be useful when integrating the module.



Electro-static Discharge: Notifies the user to take proper grounding precautions before handling the product.

Table 1: Symbol Conventions

All dates are in ISO 8601 format, that is. YYYY-MM-DD.

1.5. Related Documents

Document one: PCI Express M.2 Specification, Revision 3.0, Version 1.2 (2019-06-29)

2. STEPS TO INSTALL A FN980 FAMILY CARD IN A 30MMX52MM SLOT

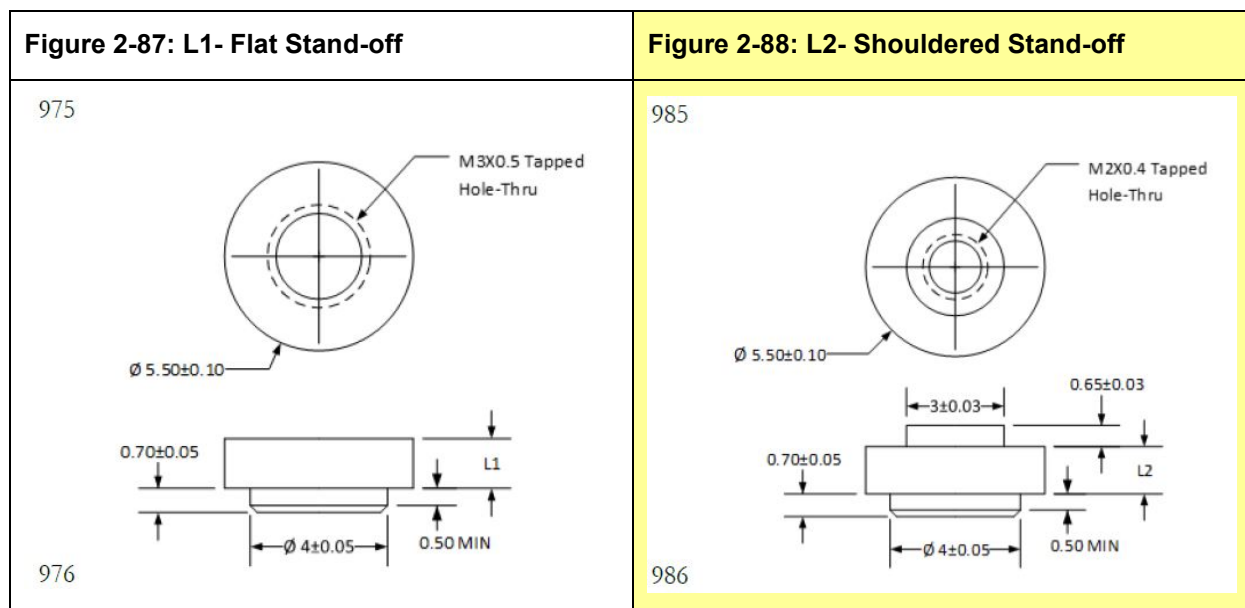
2.1. Change M.2 connector and stand off height

FN980 Family card is 30mm large and 50mm long, with components on both sides. If your design is made for a card with components only on the top side, probably you are using a lower height M.2 connector and stand-off solution.

Please refer to PCI Express M.2 Specification Rev.3.0, 2.5.4, Table 2-14:

Connector Height Descriptor	L1- Flat Stand-off	L2- Shouldered Stand-off
H2.3	0.35 ± 0.03	-----
H2.5	0.55 ± 0.03	-----
H2.8	0.80 ± 0.03	0.80 ± 0.03
H3.2	1.45 ± 0.03	1.45 ± 0.03
H4.2	2.45 ± 0.03	2.45 ± 0.03

Please refer to PCI Express M.2 Specification Rev.3.0, Figure 2-87 and Figure 2-88 for L1 and L2:



Telit minimum required height is H3.2. If you are currently using a H2.3, H2.5, H2.8 connector, you must change both M.2 connector and stand-off using a different height (H3.2 or H4.2). There is no need to change footprint, your supplier probably has in catalog the same connector, but with different height.

If you change these two components (Fig.1), your design will be compatible both with Telit and with your current solution.

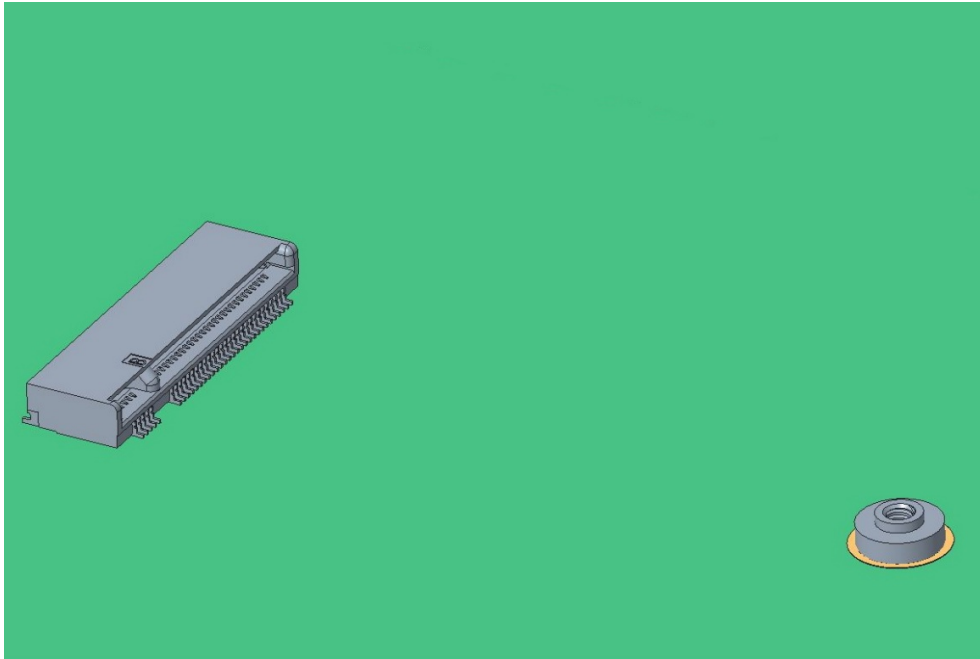
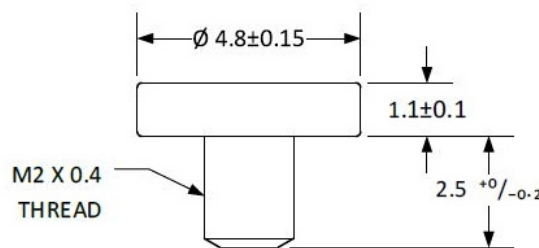


Fig.1

We suggest to use a shouldered stand-off (PCI Express M.2 Specification Rev.3.0, Figure 2-88) with a specific M2 screw.

For the M2 screw, please refer to PCI Express M.2 Specification Rev.3.0, 2.5.5.3:

1014



M2 SCREW-PHILLIPS DRIVE
WAFFER HEAD STYLE
(USED WITH SHOULDER STAND OFF)

1015

2.2. FN980 Family assembly with Telit Adapter

FN980 Family card is 30mm large and 50mm long, with components on both sides. Probably your design is made for a 30mm x52mm M.2 card, with components only on the top side. After changing the connector and stand-off height, you need to fix the gap between the FN980 Family card and the stand-off.

Telit can provide a custom two parts adapter to fit the 2mm gap between the two cards, as showed in Fig.2 (lower adapter) and Fig.3 (upper adapter):

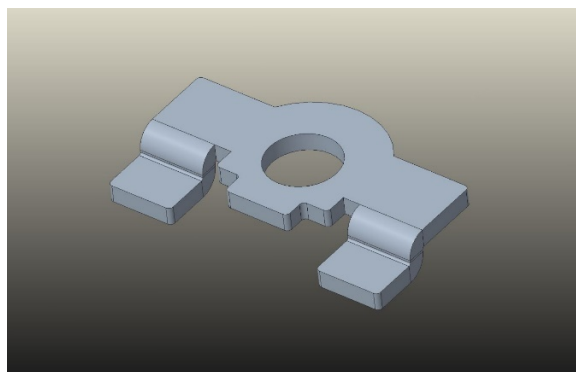


Fig.2

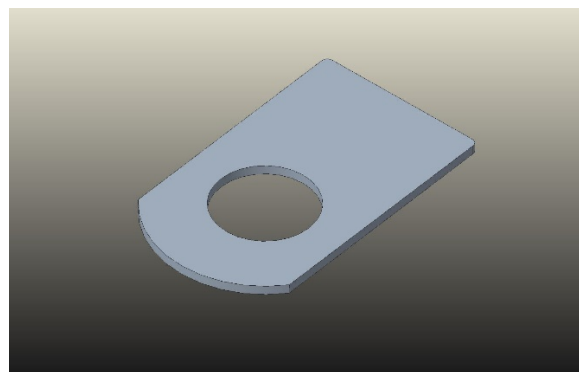


Fig.3

2.2.1. How to install the adapter on your application

Step 1:

Insert FN980 Family card into the M.2 connector (Fig.4):

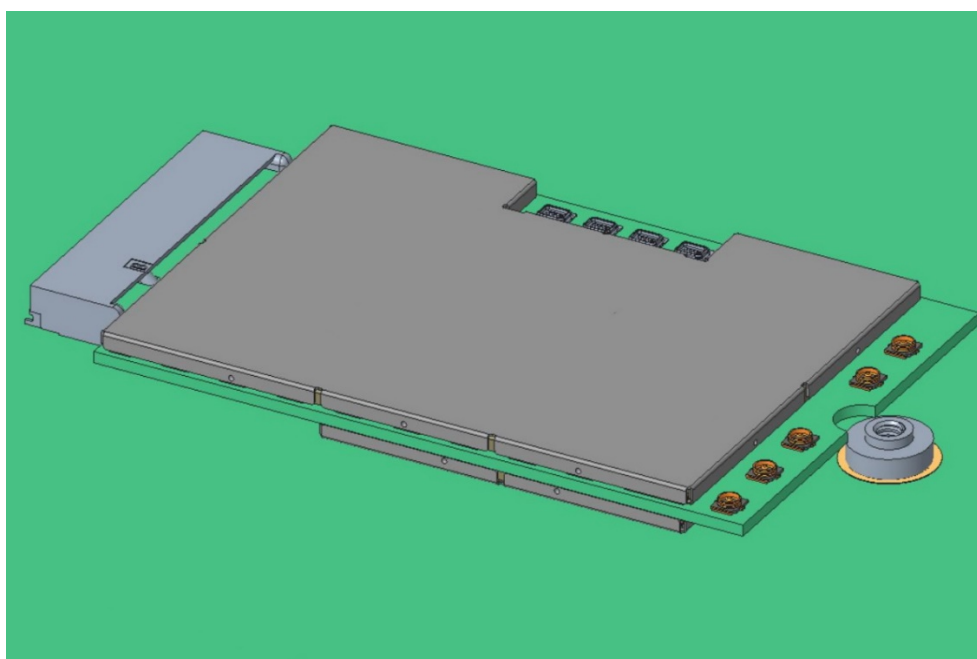


Fig.4

Step 2:

Insert the lower adapter as showed (Fig.5):

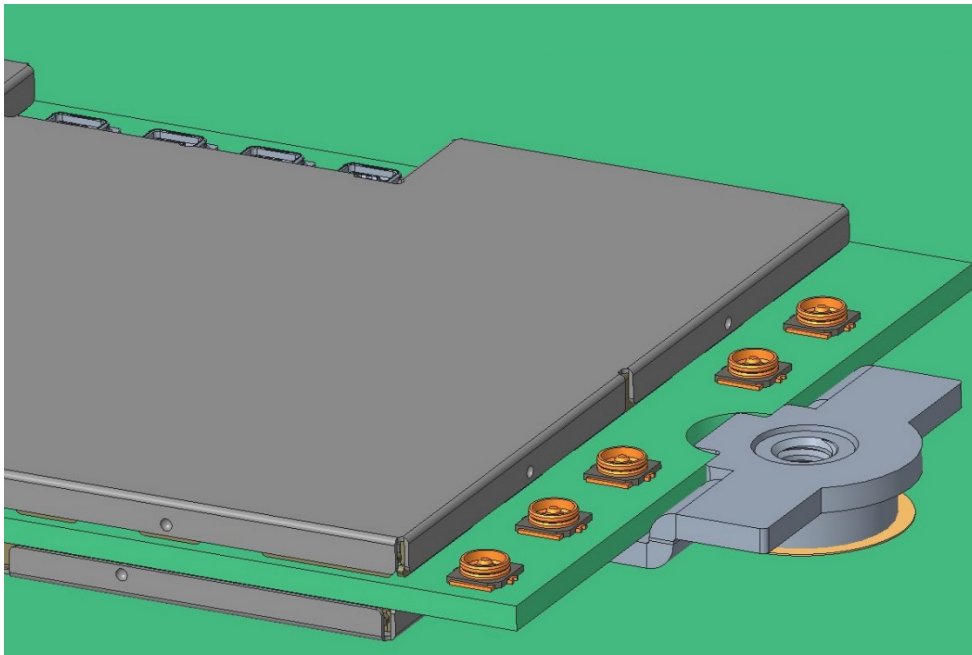


Fig.5

Step 3:

Insert the upper adapter on top side as showed (Fig.6):

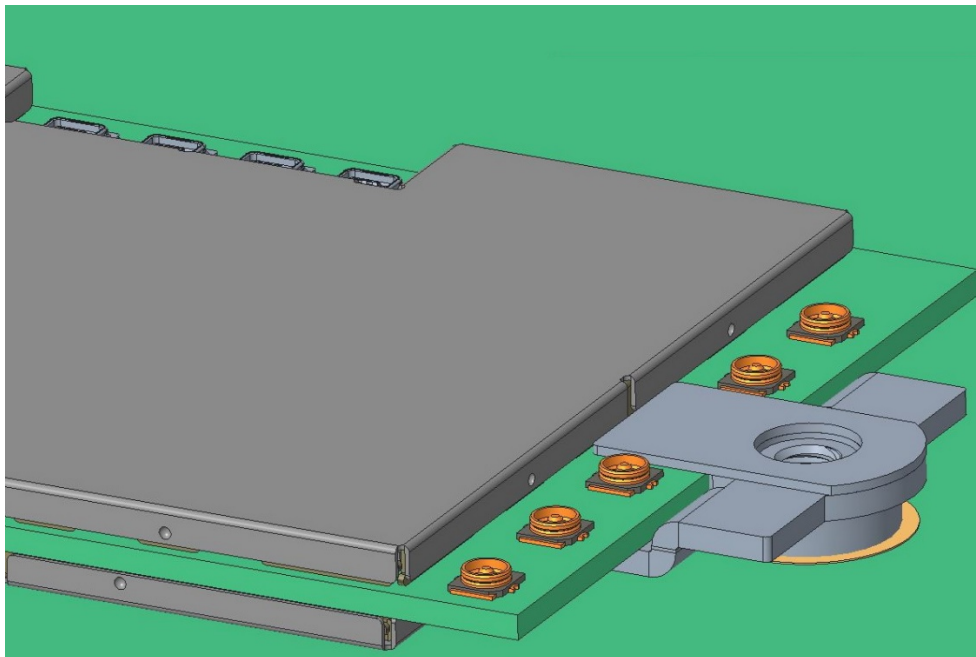


Fig.6

Step 4:

Lock with the M2 screw (Fig.7):

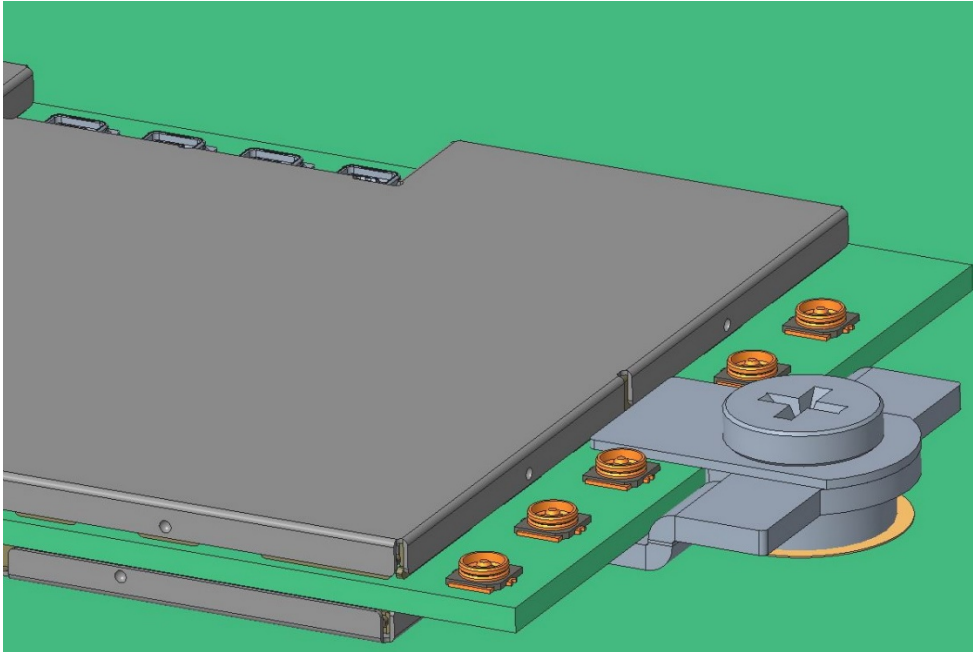


Fig.7

3. PRODUCT AND SAFETY INFORMATION

3.1. Copyrights and Other Notices

SPECIFICATIONS ARE SUBJECT TO CHANGE WITHOUT NOTICE

Although reasonable efforts have been made to ensure the accuracy of this document, Telit assumes no liability resulting from any inaccuracies or omissions in this document, or from the use of the information contained herein. The information in this document has been carefully checked and is believed to be reliable. Telit reserves the right to make changes to any of the products described herein, to revise it and to make changes from time to time with no obligation to notify anyone of such revisions or changes. Telit does not assume any liability arising from the application or use of any product, software, or circuit described herein; neither does it convey license under its patent rights or the rights of others.

This document may contain references or information about Telit's products (machines and programs), or services that are not announced in your country. Such references or information do not necessarily mean that Telit intends to announce such Telit products, programming, or services in your country.

3.1.1. Copyrights

This instruction manual and the Telit products described herein may include or describe Telit's copyrighted material, such as computer programs stored in semiconductor memories or other media. Laws in Italy and in other countries reserve to Telit and its licensors certain exclusive rights for copyrighted material, including the exclusive right to copy, reproduce in any form, distribute and make derivative works of the copyrighted material. Accordingly, any of Telit's or its licensors' copyrighted material contained herein or described in this instruction manual, shall not be copied, reproduced, distributed, merged or modified in any manner without the express written permission of the owner. Furthermore, the purchase of Telit's products shall not be deemed to grant in any way, neither directly nor by implication, or estoppel, any license.

3.1.2. Computer Software Copyrights

Telit and the 3rd Party supplied Software (SW) products, described in this instruction manual may include Telit's and other 3rd Party's copyrighted computer programs stored in semiconductor memories or other media. Laws in Italy and in other countries reserve to Telit and other 3rd Party SW exclusive rights for copyrighted computer programs,

including – but not limited to - the exclusive right to copy or reproduce in any form the copyrighted products. Accordingly, any copyrighted computer programs contained in Telit's products described in this instruction manual shall not be copied (reverse engineered) or reproduced in any manner without the express written permission of the copyright owner, being Telit or the 3rd Party software supplier. Furthermore, the purchase of Telit products shall not be deemed to grant either directly or by implication, estoppel, or in any other way, any license under the copyrights, patents or patent applications of Telit or other 3rd Party supplied SW, except for the normal non-exclusive, royalty free license to use arising by operation of law in the sale of a product.

3.2. Usage and Disclosure Restrictions

3.2.1. License Agreements

The software described in this document is owned by Telit and its licensors. It is furnished by express license agreement only and shall be used exclusively in accordance with the terms of such agreement.

3.2.2. Copyrighted Materials

The Software and the documentation are copyrighted materials. Making unauthorized copies is prohibited by the law. The software or the documentation shall not be reproduced, transmitted, transcribed, even partially, nor stored in a retrieval system, nor translated into any language or computer language, in any form or by any means, without prior written permission of Telit.

3.2.3. High Risk Materials

Components, units, or third-party goods used in the making of the product described herein are NOT fault-tolerant and are NOT designed, manufactured, or intended for use as on-line control equipment in the following hazardous environments requiring fail-safe controls: operations of Nuclear Facilities, Aircraft Navigation or Aircraft Communication Systems, Air Traffic Control, Life Support, or Weapons Systems ("High Risk Activities"). Telit and its supplier(s) specifically disclaim any expressed or implied warranty of fitness eligibility for such High Risk Activities.

3.2.4. Trademarks

TELIT and the Stylized T-Logo are registered in the Trademark Office. All other product or service names are property of their respective owners.

3.2.5. 3rd Party Rights

The software may include 3rd Party's software Rights. In this case the user agrees to comply with all terms and conditions imposed in respect of such separate software rights. In addition to 3rd Party Terms, the disclaimer of warranty and limitation of liability provisions in this License, shall apply to the 3rd Party Rights software as well.

TELIT HEREBY DISCLAIMS ANY AND ALL WARRANTIES EXPRESSED OR IMPLIED FROM ANY 3RD PARTY REGARDING ANY SEPARATE FILES, ANY 3RD PARTY MATERIALS INCLUDED IN THE SOFTWARE, ANY 3RD PARTY MATERIALS FROM WHICH THE SOFTWARE IS DERIVED (COLLECTIVELY "OTHER CODES"), AND THE USE OF ANY OR ALL OTHER CODES IN CONNECTION WITH THE SOFTWARE, INCLUDING (WITHOUT LIMITATION) ANY WARRANTIES OF SATISFACTORY QUALITY OR FITNESS FOR A PARTICULAR PURPOSE.

NO 3RD PARTY LICENSORS OF OTHER CODES MUST BE LIABLE FOR ANY DIRECT, INDIRECT, INCIDENTAL, SPECIAL, EXEMPLARY, OR CONSEQUENTIAL DAMAGES (INCLUDING WITHOUT LIMITATION LOST OF PROFITS), HOWEVER CAUSED AND WHETHER MADE UNDER CONTRACT, TORT OR OTHER LEGAL THEORY, ARISING IN ANY WAY OUT OF THE USE OR DISTRIBUTION OF THE OTHER CODES OR THE EXERCISE OF ANY RIGHTS GRANTED UNDER EITHER OR BOTH THIS LICENSE AND THE LEGAL TERMS APPLICABLE TO ANY SEPARATE FILES, EVEN IF ADVISED OF THE POSSIBILITY OF SUCH DAMAGES.

3.2.6. Waiver of Liability

IN NO EVENT WILL TELIT AND ITS AFFILIATES BE LIABLE FOR ANY DIRECT, INDIRECT, SPECIAL, GENERAL, INCIDENTAL, CONSEQUENTIAL, PUNITIVE OR EXEMPLARY INDIRECT DAMAGE OF ANY KIND WHATSOEVER, INCLUDING BUT NOT LIMITED TO REIMBURSEMENT OF COSTS, COMPENSATION OF ANY DAMAGE, LOSS OF PRODUCTION, LOSS OF PROFIT, LOSS OF USE, LOSS OF BUSINESS, LOSS OF DATA OR REVENUE, WHETHER OR NOT THE POSSIBILITY OF SUCH DAMAGES COULD HAVE BEEN REASONABLY FORESEEN, CONNECTED IN ANY WAY TO THE USE OF THE PRODUCT/S OR TO THE INFORMATION CONTAINED IN THE PRESENT DOCUMENTATION, EVEN IF TELIT AND/OR ITS AFFILIATES HAVE BEEN ADVISED OF THE POSSIBILITY OF SUCH DAMAGES OR THEY ARE FORESEEABLE OR FOR CLAIMS BY ANY THIRD PARTY.

3.3. Safety Recommendations

Make sure the use of this product is allowed in your country and in the environment required. The use of this product may be dangerous and has to be avoided in areas where:

- it can interfere with other electronic devices, particularly in environments such as hospitals, airports, aircrafts, etc.
- there is a risk of explosion such as gasoline stations, oil refineries, etc. It is the responsibility of the user to enforce the country regulation and the specific environment regulation.

Do not disassemble the product; any mark of tampering will compromise the warranty validity. We recommend following the instructions of the hardware user guides for correct wiring of the product. The product has to be supplied with a stabilized voltage source and the wiring has to be conformed to the security and fire prevention regulations. The product has to be handled with care, avoiding any contact with the pins because electrostatic discharges may damage the product itself. Same cautions have to be taken for the SIM, checking carefully the instruction for its use. Do not insert or remove the SIM when the product is in power saving mode.

The system integrator is responsible for the functioning of the final product. Therefore, the external components of the module, as well as any project or installation issue, have to be handled with care. Any interference may cause the risk of disturbing the GSM network or external devices or having an impact on the security system. Should there be any doubt, please refer to the technical documentation and the regulations in force. Every module has to be equipped with a proper antenna with specific characteristics. The antenna has to be installed carefully in order to avoid any interference with other electronic devices and has to guarantee a minimum distance from the body (20 cm). In case this requirement cannot be satisfied, the system integrator has to assess the final product against the SAR regulation.

The equipment is intended to be installed in a restricted area location.

The equipment must be supplied by an external specific limited power source in compliance with the standard EN 62368-1:2014.

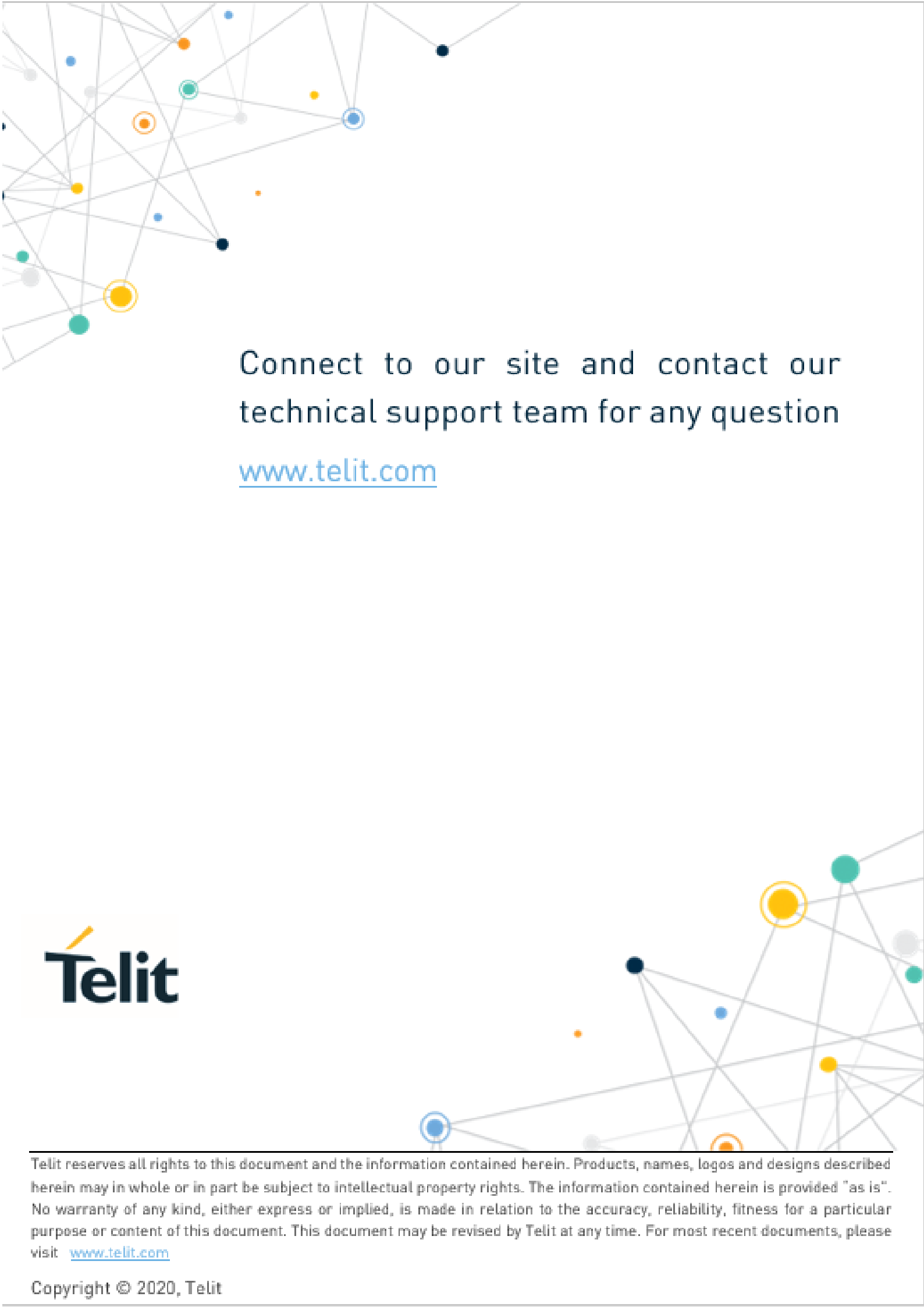
The European Community provides some Directives for the electronic equipment introduced on the market. All of the relevant information is available on the European Community website:

https://ec.europa.eu/growth/sectors/electrical-engineering_en

4. DOCUMENT HISTORY

Revision	Date	Changes
0	2021-02-10	First issue

From Mod.0809 rev.1



Connect to our site and contact our technical support team for any question

www.telit.com

Telit

Telit reserves all rights to this document and the information contained herein. Products, names, logos and designs described herein may in whole or in part be subject to intellectual property rights. The information contained herein is provided "as is". No warranty of any kind, either express or implied, is made in relation to the accuracy, reliability, fitness for a particular purpose or content of this document. This document may be revised by Telit at any time. For most recent documents, please visit www.telit.com

Copyright © 2020, Telit